

Catalog #	
Project name	
Prepared by	

CRLN

Roadway Lighting Luminaire

PRODUCT OVERVIEW

PRODUCT SPECIFICATIONS



OPTICAL

Ideal LED replacement for 70W to 250W HPS roadway
Precision optical lens design
Photometric distributions available in Type II, III
Standard 4000K CCT/ 70 CRI minimum, 2700K, 3000K, and 5000K CCT/ 70 CRI minimum option available
IP66 rated LED light engines

ELECTRICAL

120-277V 50/60Hz operation; 347-480V is also available
Standard 1-10V dimming; DALI dimming option available
10kV/5kA Surge protection meets IEEE/ ANSI C62.41, ANSI C136.2-2015
20kV/10kA SPD option meets IEEE/ANSI C62.41.2 Location Category C High, ANSI C136.2-2015 Extreme Level

CONSTRUCTION

Heavy-duty low copper die cast aluminum housing and door
Arm mount is adjustable from 1-1/4" to 2" (1-5/8" to 2-3/8" O.D.) diameter
Slipfitter with -5, -2.5, 0, +2.5, +5 degree of adjustment for leveling
Standard two-bolts/ one-bracket slipfitter provides 3G vibration rating per ANSI C136.31-2018.
Tool-less entry for easy installation and maintenance

CONTROL

Standard advance 7-pin photocontrol receptacle available to meet ANSI C136.41

WARRANTY

Ten-year warranty*
* See your sales representative for warranty terms and conditions

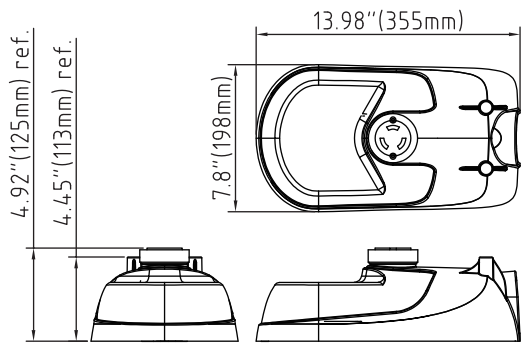
RATING AND CERTIFICATIONS

UL and cUL Wet Location Listed
DesignLights Consortium® (DLC) Qualified Product
Dark Sky Compliant (<3000K CCT only)
Rated for -40°C to +45°C ambient (-40°F to +113°F ambient)
Certified to ANSI C136.31-2018 3G Vibration
Meets FCC Part 15, Subpart B, Class A Standards
Meets Buy American Requirements within ARRA
RoHS Compliant
Complies with ANSI: C136.2, C136.10, C136.14, C136.31, C136.15, C136.37

APPLICATIONS

- Area Lighting
- Residential Lighting
- Roadway Lighting
- Parking Lot Lighting

DIMENSIONS



Unit: Inch (mm)

Approximate Net Weight: 6.6 lbs. (3.0 kgs.)
Dimensions: 13.98" x 7.8" x 4.92" (355mm x 198mm x 125mm)
Effective Projected Area (EPA): 0.41 sq. ft. max. (0.038 sq. m.)

PRODUCT CERTIFICATIONS



Catalog #	
Project name	
Prepared by	

EOI LED Roadway Lighting Compass Series

PERFORMANCE TABLE

Light Distribution	Color Temp. 4000K					Color Temp. 3000K					Color Temp. 2700K				
	Lumen Pack	Flux (lm)	Power (W)	LPW	BUG Rating	Lumen Pack	Flux (lm)	Power (W)	LPW	BUG Rating	Lumen Pack	Flux (lm)	Power (W)	LPW	BUG Rating
Type II	L060	6804	41	166	B2-U0-G2	L060	6464	41	158	B2-U0-G1	L060	6260	41	153	B2-U0-G1
	L090	9508	59	160	B3-U0-G2	L090	9033	59	152	B2-U0-G2	L090	8748	59	148	B2-U0-G2
	L110	11659	75	155	B3-U0-G2	L110	11076	75	147	B3-U0-G2	L110	10726	75	143	B3-U0-G2
	L120	12700	84	152	B3-U0-G2	L120	12065	84	144	B3-U0-G2	L120	11684	84	140	B3-U0-G2
Type III	L060	6736	41	164	B2-U0-G1	L060	6400	41	156	B2-U0-G1	L060	6197	41	151	B2-U0-G1
	L090	9413	59	159	B2-U0-G2	L090	8943	59	151	B2-U0-G2	L090	8660	59	146	B2-U0-G2
	L110	11542	75	153	B2-U0-G2	L110	10965	75	146	B2-U0-G2	L110	10619	75	141	B2-U0-G2
	L120	12573	84	150	B2-U0-G2	L120	11944	84	143	B2-U0-G2	L120	11635	84	139	B2-U0-G2

Information shown above is based on nominal system data. Initial delivered lumens at 25°C(77°F). Actual performance may differ as a result of end-user environment and application. Specifications subject to change without notice.

LUMEN MAINTENANCE

Lumen Package	TM-21 Lumen Maintenance (50,000 hours)	TM-21 Lumen Maintenance (100,000 hours)	Theoretical L70 (Hours)
L120	87.70%	76.61%	>100,000

Projected lumen maintenance per IES TM-21 at 25°C ambient and based on LM-80.

ORDERING INFORMATION

Product Series	LED Engine	Lumen Package	Driver	Optics
CRLN – Compass Roadway Lighting Nano	A24 – 24LED	L060 – 6,000 lm L090 – 9,000 lm L110 – 11,000 lm L120 – 12,000 lm	UD – 120~277V, 1-10V HD – 347~480V, 1-10V DD – 120~277V, DALI	2M – Type II Medium 3M – Type III Medium 4M – Type IV Medium 5M – Type V Medium

Color Temperature	Paint	Surge Protection	Controls	Accessories
27 – 2700K 30 – 3000K 40 – 4000K	GY – Gray BZ – Bronze BK – Black GR – Green RAL 6012	10V – 10kV/5kA SPD 20V – 20kV/10kA SPD 20F – 20kV/10kA Failed to Open	7R – 7-pin PCR P7 – Longlife Photocontrol and 7-pin PCR *7RD – 7-pin PCR and 8 Level Dimming *P7D – Longlife Photocontrol, 7-pin PCR, and 8 Level	6-14A – 6' Pre-wire 14AWG Solid 5-14A – 5' Pre-wire 14AWG Solid N – None HS – House Side Shield SS – Street Side Shield CS – Cul-de-sac Shield

* 7RD and P7D models are excluded on the DLC list.