

Catalog #	
Project name	
Prepared by	

# CRLM

## Roadway Lighting Luminaire

### PRODUCT OVERVIEW



### PRODUCT SPECIFICATIONS

#### OPTICAL

Ideal LED replacement for 250W to 400W HPS roadway  
Precision optical lens design  
Photometric distributions available in Type II, III, IV, and V  
Standard 4000K CCT/ 70 CRI minimum, 2700K, 3000K, and 5000K CCT/ 70 CRI minimum option available  
IP66 rated LED light engines

#### ELECTRICAL

120-277V 50/60Hz operation; 347-480V is also available  
Standard 1-10V dimming; DALI dimming option available  
10kV/5kA Surge protection meets IEEE/ ANSI C62.41, ANSI C136.2-2015  
20kV/10kA SPD option meets IEEE/ANSI C62.41.2 Location Category C High, ANSI C136.2-2015 Extreme Level

#### CONSTRUCTION

Heavy-duty low copper die cast aluminum housing and door  
Arm mount is adjustable from 1-1/4" to 2" (1-5/8" to 2-3/8" O.D.) diameter  
Slipfitter with -5, -2.5, 0, +2.5, +5 degree of adjustment for leveling  
Standard two-bolt/ one-bracket slipfitter provides 3G vibration rating per ANSI C136.31-2018. Optional four-bolt/ two-bracket slipfitter available  
Tool-less entry for easy installation and maintenance

#### CONTROL

Standard advance 7-pin photocontrol receptacle available to meet ANSI C136.41

#### WARRANTY

Ten-year warranty\*  
\* See your sales representative for warranty terms and conditions

#### RATING AND CERTIFICATIONS

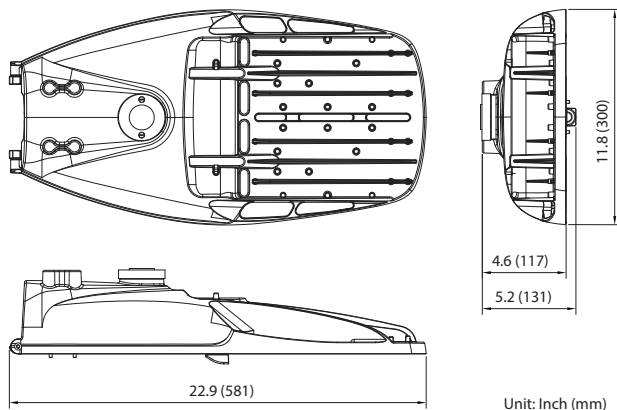
UL and cUL Wet Location Listed  
DesignLights Consortium® (DLC) Qualified Product  
Dark Sky Compliant (<3000K CCT only)  
Rated for -40°C to +50°C ambient (-40°F to +122°F ambient)\*  
Certified to ANSI C136.31-2018 3G Vibration  
Meets FCC Part 15, Subpart B, Class A Standards  
Meets Buy American Requirements within ARRA  
RoHS Compliant  
Complies with ANSI: C136.2, C136.10, C136.14, C136.31, C136.15, C136.37

\* -40°C to +45°C ambient for L240

### APPLICATIONS

- Area Lighting
- Residential Lighting
- Roadway Lighting
- Parking Lot Lighting

### DIMENSIONS



Approximate Net Weight: 12.3 lbs. (5.6 kgs.)  
Dimensions: 22.9" x 11.8" x 4.6" (581mm x 300mm x 117mm)  
Effective Projected Area (EPA): 0.56 sq. ft. max. (0.052 sq. m.)

### PRODUCT CERTIFICATIONS



Catalog #	
Project name	
Prepared by	

# EOI LED Roadway Lighting Compass Series

## PERFORMANCE TABLE

Light Distribution	Color Temp. 4000K/5000K					Color Temp. 3000K					Color Temp. 2700K				
	Lumen Pack	Flux (lm)	Power (W)	LPW	BUG Rating	Lumen Pack	Flux (lm)	Power (W)	LPW	BUG Rating	Lumen Pack	Flux (lm)	Power (W)	LPW	BUG Rating
Type II	L120	12366	79	157	B3-U0-G2	L120	11747	79	149	B3-U0-G2	L120	11376	79	144	B3-U0-G2
	L140	13686	89	154	B3-U0-G2	L140	13002	89	146	B3-U0-G2	L140	12591	89	141	B3-U0-G2
	L160	16087	106	152	B3-U0-G3	L160	15283	106	144	B3-U0-G2	L160	14800	106	140	B3-U0-G2
	L180	18248	123	148	B3-U0-G3	L180	17336	123	141	B3-U0-G3	L180	16788	123	136	B3-U0-G3
	L200	20409	140	146	B3-U0-G3	L200	19389	140	138	B3-U0-G3	L200	18776	140	134	B3-U0-G3
	L220	22090	154	143	B3-U0-G3	L220	20985	154	136	B3-U0-G3	L220	20323	154	132	B3-U0-G3
Type III	L240	24011	171	140	B3-U0-G3	L240	22810	171	133	B3-U0-G3	L240	22090	171	129	B3-U0-G3
	L120	12489	79	158	B2-U0-G2	L120	11865	79	150	B2-U0-G2	L120	11490	79	145	B2-U0-G2
	L140	13823	89	155	B2-U0-G2	L140	13132	89	148	B2-U0-G2	L140	12717	89	143	B2-U0-G2
	L160	16248	106	153	B3-U0-G3	L160	15436	106	146	B3-U0-G3	L160	14948	106	141	B3-U0-G3
	L180	18431	123	150	B3-U0-G3	L180	17509	123	142	B3-U0-G3	L180	16956	123	138	B3-U0-G3
	L200	20613	140	147	B3-U0-G3	L200	19583	140	140	B3-U0-G3	L200	18964	140	135	B3-U0-G3
Type IV	L220	22311	154	145	B3-U0-G3	L220	21195	154	138	B3-U0-G3	L220	20526	154	133	B3-U0-G3
	L240	24251	171	142	B3-U0-G3	L240	23038	171	135	B3-U0-G3	L240	22074	171	129	B3-U0-G3
	L120	12242	79	155	B2-U0-G2	L120	11630	79	147	B2-U0-G2	L120	11201	79	142	B2-U0-G2
	L140	13549	89	152	B2-U0-G3	L140	12872	89	145	B2-U0-G2	L140	12465	89	140	B2-U0-G2
	L160	15926	106	150	B3-U0-G3	L160	15130	106	143	B3-U0-G3	L160	14652	106	138	B2-U0-G3
	L180	18066	123	147	B3-U0-G3	L180	17162	123	139	B3-U0-G3	L180	16620	123	135	B3-U0-G3
Type V	L200	20205	140	144	B3-U0-G3	L200	19195	140	137	B3-U0-G3	L200	18589	140	133	B3-U0-G3
	L220	21869	154	142	B3-U0-G3	L220	20776	154	135	B3-U0-G3	L220	20120	154	131	B3-U0-G3
	L240	23771	171	139	B3-U0-G4	L240	22582	171	132	B3-U0-G4	L240	21739	171	127	B3-U0-G3
	L120	12872	79	163	B4-U0-G2	L120	12229	79	155	B4-U0-G2	L120	11843	79	150	B4-U0-G2
	L140	14247	89	160	B4-U0-G2	L140	13535	89	152	B4-U0-G2	L140	13107	89	147	B4-U0-G2
	L160	16747	106	158	B4-U0-G2	L160	15909	106	150	B4-U0-G2	L160	15407	106	145	B4-U0-G2
Type V	L180	18996	123	154	B4-U0-G2	L180	18046	123	146	B4-U0-G2	L180	17476	123	142	B4-U0-G2
	L200	21246	140	152	B5-U0-G3	L200	20183	140	144	B5-U0-G3	L200	19546	140	140	B4-U0-G3
	L220	22995	154	149	B5-U0-G3	L220	21845	154	142	B5-U0-G3	L220	21156	154	137	B5-U0-G3
	L240	24995	171	146	B5-U0-G3	L240	23745	171	139	B5-U0-G3	L240	22995	171	134	B5-U0-G3

Information shown above is based on nominal system data. Initial delivered lumens at 25°C(77°F). Actual performance may differ as a result of end-user environment and application. Specifications subject to change without notice.

## LUMEN MAINTENANCE

Lumen Package	TM-21 Lumen Maintenance (50,000 hours)	TM-21 Lumen Maintenance (100,000 hours)	Theoretical L70 (Hours)
L220	90.23%	81.16%	>100,000

Projected lumen maintenance per IES TM-21 at 25°C ambient and based on LM-80.

## ORDERING INFORMATION

CRLM-

A48

Product Series	LED Engine	Lumen Package	Driver	Optics
CRLM – Compass Roadway Lighting Medium	A48 – 48LED	L120 – 12,000 lm L140 – 14,000 lm L160 – 16,000 lm L180 – 18,000 lm L200 – 20,000lm L220 – 22,000 lm L240 – 24,000 lm	UD – 120~277V, 1-10V HD – 347~480V, 1-10V DD – 120~277V, DALI DH – 347~480V, DALI	2M – Type II Medium 3M – Type III Medium 4M – Type IV Medium 5M – Type V Medium

Color Temperature	Paint	Surge Protection	Controls	Accessories
27 – 2700K 30 – 3000K 40 – 4000K * 50 – 5000K	GY – Gray BZ – Bronze BK – Black GR – Green RAL 6012	10V – 10kV/5kA SPD 20V – 20kV/10kA SPD 20F – 20kV/10kA Failed to Open	7R – 7-pin PCR P7 – Longlife Photocontrol and 7-pin PCR * 7RD – 7-pin PCR and 8 Level Dimming * P7D – Longlife Photocontrol, 7-pin PCR, and 8 Level	6-14A – 6' Pre-wire 14AWG Solid 5-14A – 5' Pre-wire 14AWG Solid FS – Fuse EB – External Bubble Leveling N – None HS – House Side Shield SS – Street Side Shield CS – Cul-de-sac Shield

\* 5000K, 7RD and P7D models are excluded on the DLC list.