

Wiring diagram

Precautions

1. Ensure power source closed before installation.
2. Don't open luminaries cover.
3. The maximum aiming range is 60°.



FL1 - LED Flood Light

Installation Guide

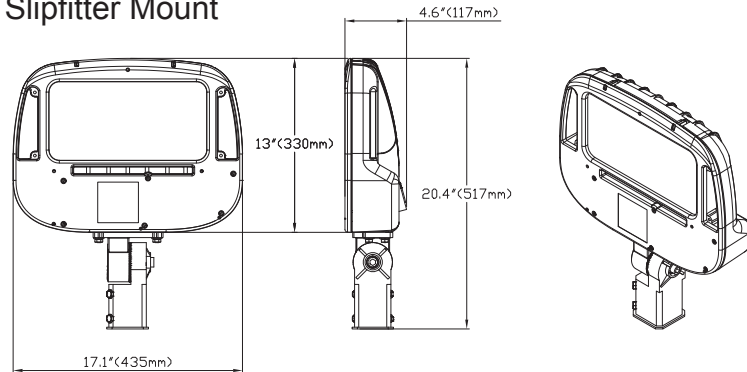
Procedures of Installation

Please confirm your local voltage and related electronic Specifications are matching the device before installation.

Applicable diameter of slip-fitter or Trunnion, please reference this installation guide.

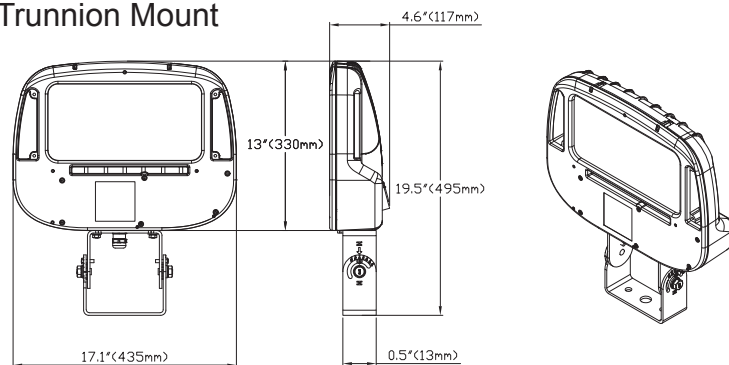
FL1- LED Flood Light Specification

Slipfitter Mount



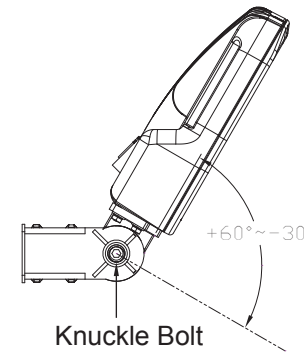
Unit: inch (mm)
Dimensions: 17.1" X 20.4" X 4.6"
Weight: 21 lbs

Trunnion Mount



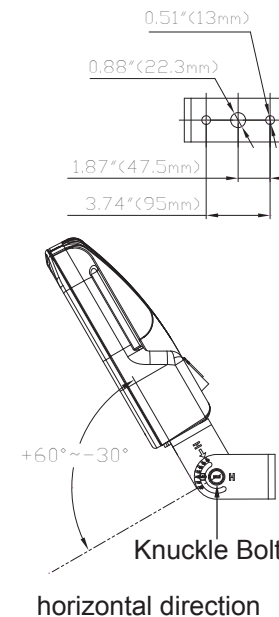
Unit: inch (mm)
Dimensions: 17.1" X 19.5" X 4.6"
Weight: 21 lbs

1-1. Slip-fitter Mount



- Pipe mount on 2.25 to 2.5-inch O.D.
- The luminaries angle adjust range is -30 to +60 degree.
- Tighten bolts securely.
- Please ensure wiring compartment is closed.
- Tighten knuckle bolt to 7.2 to 8.6 ft-lbs torque after aiming.

1-2. Trunnion Mount



- Please reference install hole dimension as following drawing.
- The luminaries angle adjust range is -30 to +60 degree. (Please reference Scale on trunnion both side, H is mean horizontal direction and V is vertical as left figural shown.)
- Please ensure all screw fixed after angle is set.
- Tighten two side trunnion bolts to 7.2 to 8.6 ft-lbs torque after aiming.