

| | |
|--------------|--|
| Catalog # | |
| Project name | |
| Prepared by | |

EOI LED Security Light Sentinel Series

PRODUCT OVERVIEW

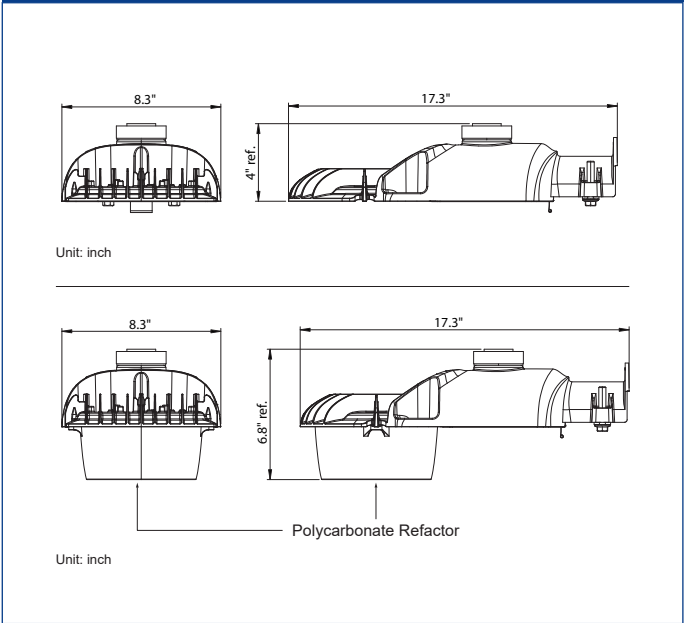
PRODUCT SPECIFICATIONS



APPLICATIONS

- Area Lighting
- Security Lighting
- Roadway Lighting

DIMENSIONS



OPTICAL

- Ideal LED replacement up to 200W HPS
- Precision optical lens design
- Photometric distributions available in Type III and V
- Standard 4000K CCT/ 70 CRI minimum, 3000K CCT/ 70 CRI minimum
- IP66 rated LED light engine

ELECTRICAL

- 120-277VAC 50/60 Hz operation
- Standard 1-10V dimming; DALI dimming options available
- 10kV/ 5kA surge protection meets IEEE/ ANSI C62.41, ANSI C136.2-2015
- 20kV/ 10kA surge protection option available

CONSTRUCTION

- Heavy-duty die-casting aluminum housing and door
- Arm mount is adjustable from 1-1/4" to 2" (1-5/8" to 2-3/8" O.D.)
- Slipfitter with +5 degree of adjustment for leveling
- Stainless two-bolt/ on bracket slipfitter
- Tool-less entry for easy installation and maintenance

CONTROL

- NEMA 3-pin photocontrol receptacle
- Advance 7-pin photocontrol receptacle available to meet ANSI C136.41

WARRANTY

- Ten-year warranty*1
- *1 See your sales representative for warranty terms and conditions

RATING AND CERTIFICATIONS

- UL and cUL Wet Location Listed
- DesignLights Consortium® (DLC) Qualified Product (In Progress)
- Rated for -40°C to +50°C ambient (-40°F to +122°F ambient)
- Meets FCC Part 15, Subpart B, Class A Standards
- 3G Vibration Rated
- RoHS Compliant

| | |
|--------------|--|
| Catalog # | |
| Project name | |
| Prepared by | |

EOI LED Security Light Sentinel Series

PERFORMANCE TABLE

| Light Distribution | Color Temp. 4000K | | | | | Color Temp. 3000K | | | | |
|--------------------|-------------------|-----------|-----------|-----|------------|-------------------|-----------|-----------|-----|------------|
| | Lumen Pack | Flux (lm) | Power (W) | LPW | BUG Rating | Lumen Pack | Flux (lm) | Power (W) | LPW | BUG Rating |
| Type III | A | 4,336 | 29 | 150 | B1-U0-G1 | A | 4,132 | 29 | 142 | B1-U0-G1 |
| | B | 5,878 | 39 | 151 | B1-U0-G1 | B | 5,599 | 39 | 144 | B1-U0-G1 |
| | C | 6,900 | 48 | 144 | B2-U0-G2 | C | 6,574 | 48 | 137 | B1-U0-G2 |
| | D | 8,305 | 58 | 143 | B2-U0-G2 | D | 7,912 | 58 | 136 | B2-U0-G2 |
| | E | 9,642 | 68 | 142 | B2-U0-G2 | E | 9,185 | 68 | 135 | B2-U0-G2 |
| Type V | A | 4,426 | 29 | 153 | B3-U0-G1 | A | 4,217 | 29 | 145 | B3-U0-G1 |
| | B | 6,000 | 39 | 154 | B3-U0-G1 | B | 5,715 | 39 | 147 | B3-U0-G1 |
| | C | 7,043 | 48 | 147 | B3-U0-G2 | C | 6,710 | 48 | 140 | B3-U0-G1 |
| | D | 8,477 | 58 | 146 | B3-U0-G2 | D | 8,075 | 58 | 139 | B3-U0-G2 |
| | E | 9,841 | 68 | 145 | B4-U0-G2 | E | 9,375 | 68 | 138 | B3-U0-G2 |

Information shown above is based on nominal system data. Initial delivered lumens at 25°C(77°F). Actual performance may differ as a result of end-user environment and application. Specifications subject to change without notice.

LUMEN MAINTENANCE

| Lumen Pack | TM-21 Lumen Maintenance (50,000 hours) | TM-21 Lumen Maintenance (100,000 hours) | Theoretical L70 (Hours) |
|---------------|--|---|-------------------------|
| A \ B \ C \ D | 92.45% | 85.31% | >100,000 |
| E | 91.17% | 82.86% | >100,000 |

Projected lumen maintenance per IES TM-21 at 25°C ambient and based on LM-80(10,000 hours testing).

ORDERING INFORMATION

STL-

| Series | Lumen Package | Driver | Optics | Color Temperature |
|----------------|--|---|------------------------------|--|
| STL – Sentinel | A – 45% Lumens Output B – 60% Lumens Output C – 70% Lumens Output D – 85% Lumens Output E – Full Lumens Output | UD – 120-277V, 0-10V DD – 120-277V, DALI | T3 – Type III T5 – Type V | 40 – 4000K 30 – 3000K 27 – 2700K |

| Paint | Surge Protection | Controls | Refractor | Accessories |
|------------------------------|-----------------------------------|--|--|---|
| A – Raw Aluminum G – Gray | 10V – 10kV/5kA 20V – 20kV/10kA | 3R – 3-pin PCR 7R – 7-pin PCR P3 – Longlife Photocontrol and 3-pin PCR P7 – Longlife Photocontrol and 7-pin PCR 3RD – 3-pin PCR and 8 Level Dimming 7RD – 7-pin PCR and 8 Level Dimming P3D – Longlife Photocontrol, 3-pin PCR and 8 Level Dimming P7D – Longlife Photocontrol, 7-pin PCR and 8 Level Dimming | N – No Drop Refractor REF – Drop Refractor (Shipped separately) | Blank 24A – 24" 1-1/4" Aluminum Arm 18A – 18" 1-1/4" Aluminum Arm 5L – 5' 14AWG Pre-wire 24AL – 24" Arm, 5' Wires W – Wall Mount |