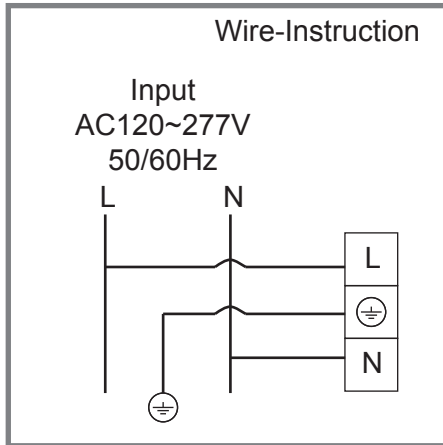
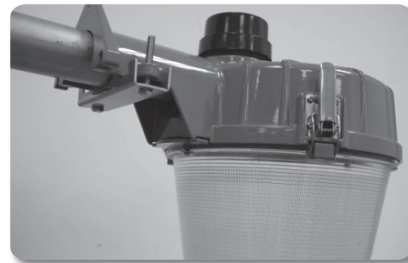
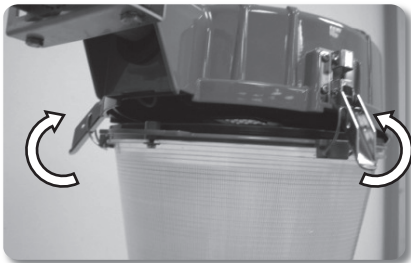


6. Please read the Wire-Instruction first, and then connect the power cables to the right positions. Be sure to screw tightly in order to avoid disconnection.



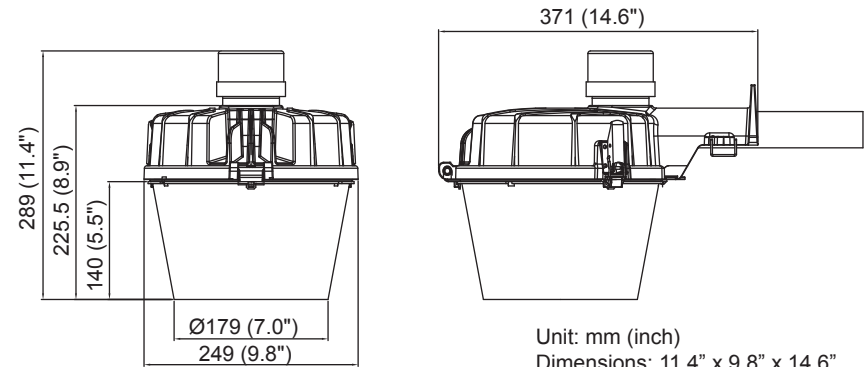
7. Close the cover back to luminaire.



LED Area and Barn Light Installation Guide

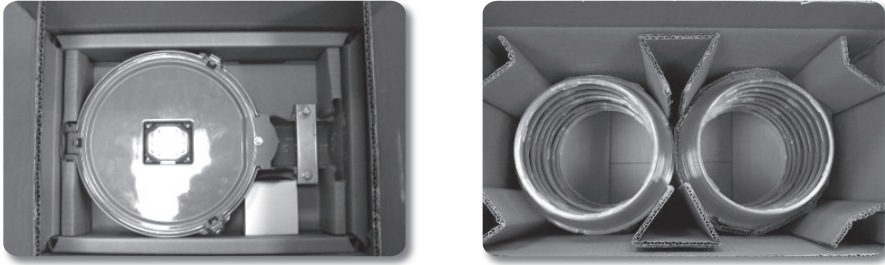
Procedures of Installation

Please confirm your local voltage and related electronic specifications matched the device before installation. The diameter of pole for e-lite star LED Area and Barn Light is between 1.66 inches to 2.375 inches.

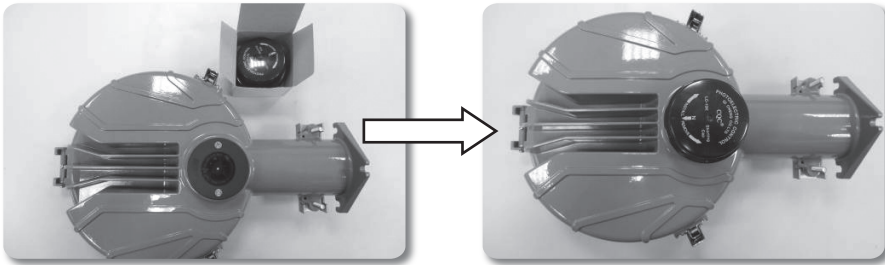


Unit: mm (inch)
Dimensions: 11.4" x 9.8" x 14.6"
Weight: < 8.8 lbs.

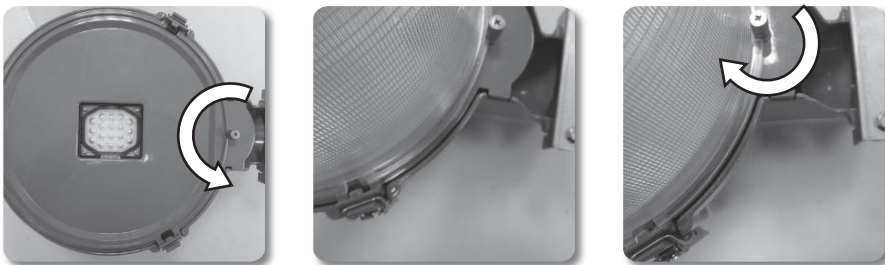
1. Remove the luminaire and acrylic refractor from carton.



2. Twist-lock the shorting cap to the luminaire.



3. Install the acrylic refractor to the luminaire.

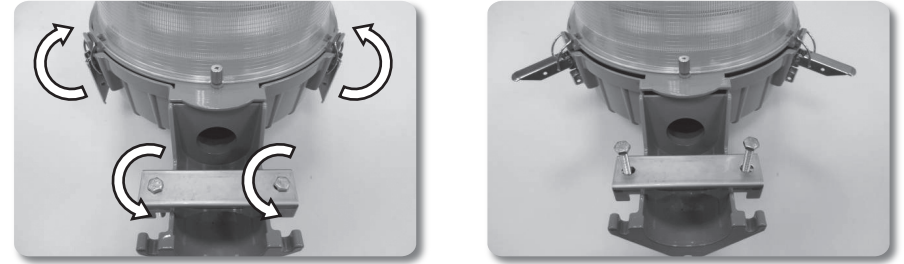


Loose the captive screw

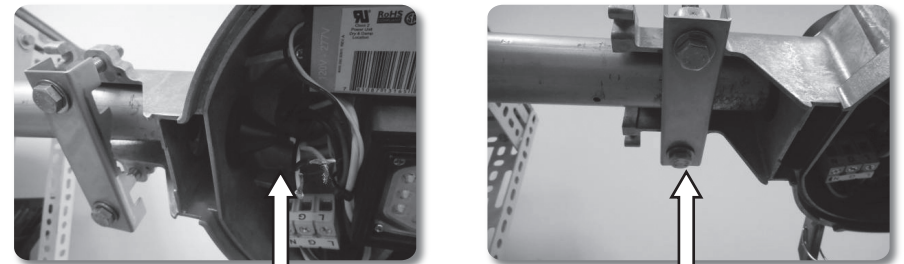
Align fixed point and twist in acrylic refractor

Rotate acrylic refractor to align notch and fasten screw tightly.

4. Unfasten the lineman latch clips and loosen the screws on arms.



5. Fix the luminaire to the pole.



Input Cable

Screw tightly to the pole