

# SL3s-S LED Street Light

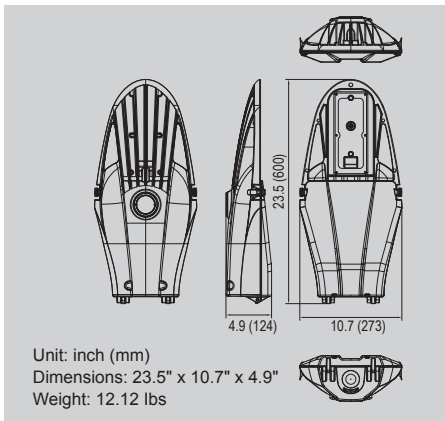
## Ordering Information

<b>ESU</b>	<b>-</b>	<b>E</b>	<b>A01</b>	<b>2M</b>	<b>016</b>	<b>30</b>	<b>S</b>	<b>105</b>
e-lite star LED Street Light		Product Series E – SL3s Series	Input Voltage A01 – 120-277 VAC	Lateral Light Distribution 2M – Type II Medium 3M – Type III Medium 3P – Type III Wide 5M – Type V Medium	LED Number 016 – 16 LEDs	Color Temperature 30 – 3000K	Luminaire Type S – 1-Modules	LED Driving Current 105 – 1050 mA

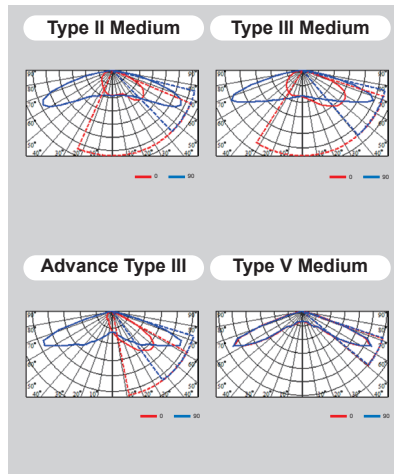
## Specifications

Type	SL3s-S			
Number of LEDs	16			
Luminous Flux (lm) (Typ.)	6217	6278	5395	6173
Power Consumption (W) (Typ.)	56.68	55.72	55.1	57.56
Efficacy (lm/W)	> 109	> 112	> 97	> 107
Light Distribution	Type II Medium	Type III Medium	Type III Wide	Type V Medium
LED Driving Current (mA)	1050			
Correlated Color Temperature (CCT) (K) (Typ.)	3000K			
Operating Voltage Range (VAC)	120 ~ 277			
Color Rendering Index (CRI) (Typ.)	≥ 70			
Power Factor (PF)	> 0.95 (for 120 Vac)			
Total Harmonic Distortion (THD) (%)	< 20%			
Operating Temperature Range	-40°F ~ +130°F			
Ingress Protection Classification	IP66 (for light engine)			
Material Characteristics	Aluminum Die Casting, UV Resistance PC			
Weight (lbs)	< 13.0			
Surge Protection	IEEE C62.41 C High (Max. Peak Current: 10KA)			
EPA	0.54			

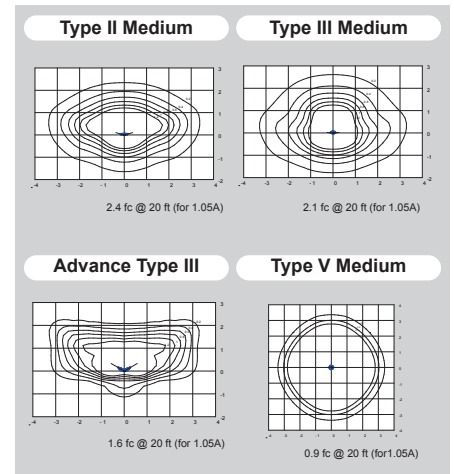
## Dimensions



## Photometric



## Isotropic Illumination Distribution



## Product Certifications

