



SL3s-M LED Street light

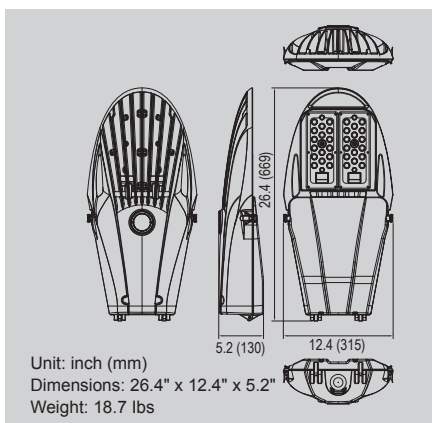
Ordering Information

ESU	-	E	A01	2M	032	30	M	105
e-lite star LED Street Light		Product Series E – SL3s Series	Input Voltage A01 – 120-277 VAC	Lateral Light Distribution 2M – Type II Medium 3M – Type III Medium 3P – Type III Wide 5M – Type V Medium	LED Number 032 – 36 LEDs	Color Temperature 30 – 3000K	Luminaire Type M – 2-Modules	LED Driving Current 105 – 1050 mA

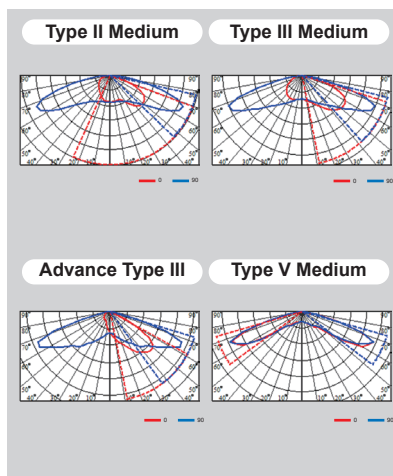
Specifications

	SL3s-M			
	32			
Type				
Number of LEDs	32			
Luminous Flux (lm) (Typ.)	12031	12200	10789	11820
Power Consumption (W) (Typ.)	112.1	112.3	110.1	112.2
Efficacy (lm/W)	> 107	> 108	> 97	> 105
Light Distribution	Type II Medium	Type III Medium	Type III Wide	Type V Medium
LED Driving Current (mA)	1050			
Correlated Color Temperature (CCT) (K) (Typ.)	3000K			
Operating Voltage Range (VAC)	120 ~ 277			
Color Rendering Index (CRI) (Typ.)	≥ 70			
Power Factor (PF)	> 0.95 (for 120Vac)			
Total Harmonic Distortion (THD) (%)	< 20%			
Operating Temperature Range	-40°F ~ +130°F			
Ingress Protection Classification	IP66 (for light engine)			
Material Characteristics	Aluminum Die Casting, UV Resistance PC			
Weight (lbs)	< 19.0			
Surge Protection	IEEE C62.41 C High (Max. Peak Current: 10KA)			
EPA	0.66			

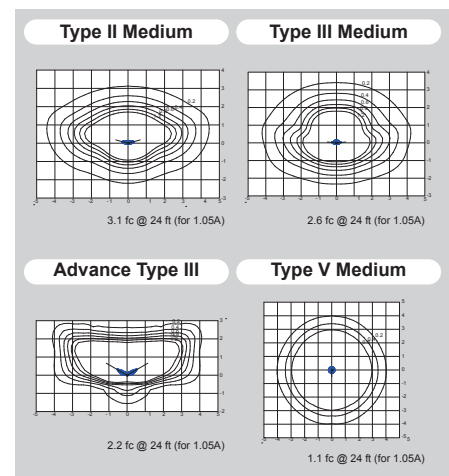
Dimensions



Photometric



Isotropic Illumination Distribution



Product Certifications

