



SL3s-L LED Street Light

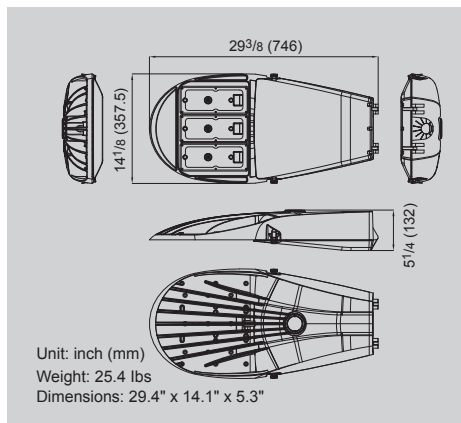
Ordering Information

ESU e-lite star LED Street Light	-	E Product Series D – SL3s Series	A01 Input Voltage A01 – 120-277 VAC	2M Lateral Light Distribution 2M – Type II Medium 3M – Type III Medium 3P – Type III Wide 5M – Type V Medium	044 LED Number 044 – 44 LEDs	30 Color Temperature 30 – 3000K	L Luminaire Type L – 3-Modules	105 LED Driving Current 105 – 1050 mA
--	----------	---	--	--	---	--	---	--

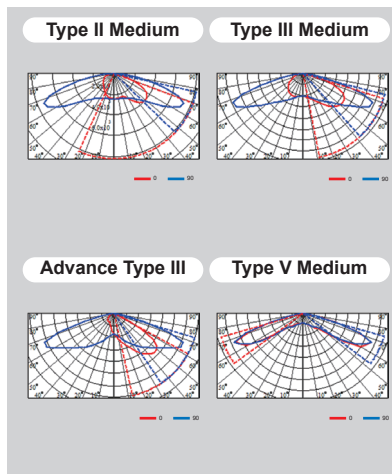
Specifications

Type	SL3s-L			
Number of LEDs	44			
Luminous Flux (lm) (Typ.)	16543	16774	14980	16252
Power Consumption (W) (Typ.)	151.4	151.4	150.1	151.4
Efficacy (lm/W)	> 109	> 110	> 99	> 107
Light Distribution	Type II Medium	Type III Medium	Type III Wide	Type V Medium
LED Driving Current (mA)	1050			
Correlated Color Temperature (CCT) (K) (Typ.)	3000K			
Operating Voltage Range (VAC)	120 ~ 277			
Color Rendering Index (CRI) (Typ.)	≥ 70			
Power Factor (PF)	> 0.95 (for 120 Vac)			
Total Harmonic Distortion (THD) (%)	< 20%			
Operating Temperature Range	-40°F ~ +130°F			
Ingress Protection Classification	IP66 (for light engine)			
Material Characteristics	Aluminum Die Casting, UV Resistance PC			
Weight (lbs)	< 25			
Surge Protection	IEEE C62.41 C High (Max. Peak Current: 10KA)			
EPA	0.8			

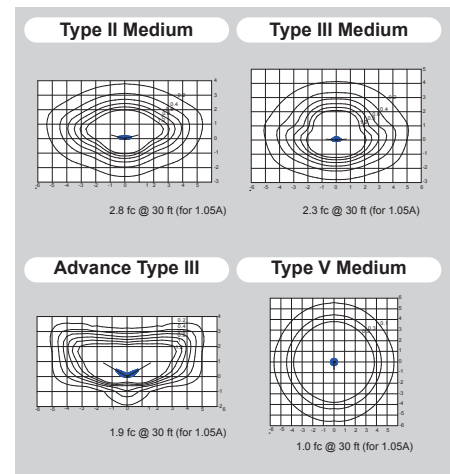
Dimensions



Photometric



Isotropic Illumination Distribution



Product Certifications

