

SL3x S

Roadway Lighting Luminaire

Catalog #	
Project name	
Prepared by	

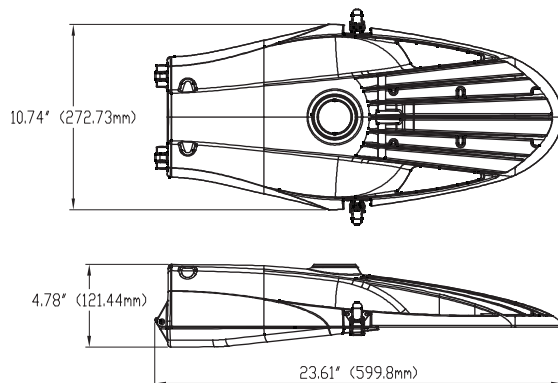
PRODUCT OVERVIEW



APPLICATIONS

- Roadway Lighting
- Backyard Security Lighting
- Parking Lot Lighting

DIMENSIONS



Effective Projected Area (EPA): 0.54 sq. ft. max. (0.050 sq. m.)
Approximate Net Weight: 12.12 lbs. (5.50 kgs.)

PRODUCT SPECIFICATIONS

OPTICAL

- Ideal LED replacement for 100-200W HPS roadway
- Precision optical lens design
- Photometric distributions available in Type II, III, III Wide, and V
- Standard 4000K CCT/ 70 CRI minimum, 3000K CCT/ 70 CRI minimum
- IP66 rated LED light engines

ELECTRICAL

- 120-277V 50/60Hz operation
- Standard 0-10V dimming; DALI dimming option available
- 10kV/5kA Surge protection meets IEEE/ ANSI C62.41, ANSI C136.2-2015
- 20kV/10kA SPD is also available

CONSTRUCTION

- Classic and modern cobra-head style design
- Heavy-duty die-cast aluminum housing and door
- Arm mount is adjustable from 1-1/4" to 2" (1-5/8" to 2-3/8" O.D.) diameter
- Slipfitter with ± 5 degree of adjustment for leveling
- Standard two-bolt provides 3G vibration rating per ANSI C136.10-2001
- Tool-less entry for easy installation and maintenance

CONTROL

- NEMA 3-pin photocontrol receptacle is standard
- Advance 7-pin photocontrol receptacle available to meet ANSI C136.41

WARRANTY

- Ten-year warranty*
- * See your sales representative for warranty terms and conditions

RATING AND CERTIFICATIONS

- UL and cUL Wet Location Listed
- DesignLights Consortium® (DLC) Qualified Product¹
- Dark Sky Compliant (<3000K CCT only)
- Rated for -40°C to +50°C ambient (-40°F to +130°F ambient)
- Certified to ANSI C136.31-2001 3G Vibration
- Meets FCC Part 15, Subpart B, Class A Standards
- Meets Buy American Requirements within ARRA
- RoHS Compliant
- Complies with ANSI: C136.2, C136.10, C136.14, C136.31, C136.15, C136.37

1. Not available in 1300mA and 1500mA drive current models

Catalog #	
Project name	
Prepared by	

SL3x S

Roadway Lighting Luminaire

PERFORMANCE TABLE

LED Number	Light Distribution	Drive Current (mA)	Color Temp. 4000K			Color Temp. 3000K		
			Flux (lm)	Power (W)	BUG Rating	Flux (lm)	Power (W)	BUG Rating
16	Type II	700	4622	35	B2-U0-G2	4172	35	B2-U0-G2
		1050	6439	55	B2-U0-G2	5811	55	B2-U0-G2
		1300	7495	72	B3-U0-G3	6686	72	B2-U0-G2
		1500	8252	81	B3-U0-G3	7447	81	B3-U0-G3
	Type III	700	4672	35	B2-U0-G2	4217	35	B2-U0-G2
		1050	6509	55	B2-U0-G2	5874	55	B2-U0-G2
		1300	7577	72	B3-U0-G3	6758	72	B2-U0-G2
		1500	8342	81	B3-U0-G3	7528	81	B3-U0-G3
	Type III Wide	700	4421	35	B1-U0-G1	3990	35	B1-U0-G1
		1050	6159	55	B1-U0-G2	5558	55	B1-U0-G2
		1300	7170	72	B1-U0-G2	6395	72	B1-U0-G2
		1500	7893	81	B1-U0-G2	7123	81	B1-U0-G2
	Type V	700	4572	35	B3-U0-G1	4126	35	B3-U0-G1
		1050	6369	55	B3-U0-G1	5748	55	B3-U0-G1
		1300	7414	72	B3-U0-G2	6613	72	B3-U0-G1
		1500	8162	81	B3-U0-G2	7366	81	B3-U0-G2

Information shown above is based on nominal system data. Initial delivered lumens at 25°C (77°F). Actual performance may differ as a result of end-user environment and application. Specifications subject to change without notice.

LUMEN MAINTENANCE

Model	TM-21 Lumen Maintenance (50,000 hours)	TM-21 Lumen Maintenance (100,000 hours)	Theoretical L70 (Hours)
700 mA	92.66%	85.72%	230,260 hrs
1050 mA	93.03%	87.07%	264,980 hrs
1500 mA	86.55%	74.78%	122,610 hrs

Projected lumen maintenance per IES TM-21 at 25°C ambient and based on LM-80 (10,000 hour testing).

ORDERING INFORMATION

Product Family	Product Series	Input Voltage	Light Distribution	LED Number	Color Temperature	Luminaire Type	Drive Current
ESU – e-lite star™ LED Street Light	F – SL3x Series	A01 – 120-277VAC	2M – Type II Medium 3M – Type III Medium 3P – Type III Medium Wide 5M – Type V Medium	016 – 16 LEDs	30 – 3000K 40 – 4000K	S – 1-Modules	700 – 700 mA 105 – 1050 mA 130 – 1300 mA 150 – 1500 mA

ACCESSORY OPTIONS

LED Type	Finish	Safety Certificate	Door Entry	Driver Option	Control Option	SPD Rating	Additional Option	Additional Option
F	A – Gray (FS36173) B – Bronze (RAL 8019) I – Light Gray (RAL 7038) J – Black (RAL 9017)	U – UL	1 – Tool Less	1 – 0-10V 4 – 3 Ways Field Adjustable Selector 5 – DALI	N – None 1 – 3-Pin Photocontrol Receptacle 2 – Regular Photocontrol 3 – Shorting Cap 4 – Long Life Photocontrol 5 – 7-Pin Photocontrol Receptacle 6 – 7-Pin PCR & Shorting Cap 8 – 7-Pin PCR & Long Life Photocontrol 9 – 5-Pin Photocontrol Receptacle	1 – 10kV/5kA 3 – 20kV/10kA 4 – 20kV/10kA FTO	N – None 1 – House Side Shield 2 – Bird Guard 3 – House Side Shield & Bird Guard 6 – 6' Pre-wire	N – None

Please contact your sales representative for the latest product information.