

Catalog #	
Project name	
Prepared by	

SL3x Mini

Roadway Lighting Luminaire

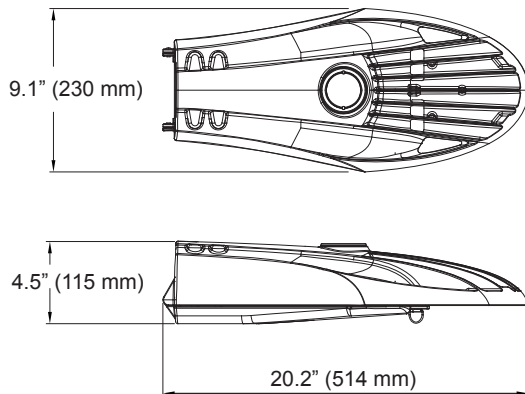
PRODUCT OVERVIEW



APPLICATIONS

- Roadway Lighting
- Backyard Security Lighting
- Parking Lot Lighting

DIMENSIONS



Effective Projected Area (EPA): 0.48 sq. ft. max. (0.045 sq. m.)
 Approximate Net Weight: 7.1 lbs. (3.22 kgs.)

PRODUCT SPECIFICATIONS

OPTICAL

Ideal LED replacement for 100W HPS, 175W MV
 Precision optical lens design
 Photometric distributions available in Type II, III, and V
 Standard 4000K CCT/ 70 CRI minimum, 3000K CCT/ 70 CRI minimum
 IP66 rated LED light engines

ELECTRICAL

120-277V 50/60Hz operation
 Standard 0-10V dimming; DALI dimming option available
 10kV/10kA Surge protection meets IEEE/ ANSI C62.41, ANSI C136.2-2015
 20kV/10kA SPD is also available

CONSTRUCTION

Classic and modern cobra-head style design
 Heavy-duty die-cast aluminum housing and UV stabilized polymeric door
 Arm mount is adjustable from 1-1/4" to 2" (1-5/8" to 2-3/8" O.D.) diameter
 Slipfitter with ± 5 degree of adjustment for leveling
 Standard two-bolt/ one-bracket slipfitter/ optional four-bolt/ two-brackets available provides 3G vibration rating per ANSI C136.10-2001
 Tool-less entry for easy installation and maintenance

CONTROL

NEMA 3-pin photocontrol receptacle is standard
 Advance 7-pin photocontrol receptacle available to meet ANSI C136.41

WARRANTY

Ten-year warranty*
 * See your sales representative for warranty terms and conditions

RATING AND CERTIFICATIONS

UL and cUL Wet Location Listed
 DesignLights Consortium® (DLC) Qualified Product
 Dark Sky Compliant (<3000K CCT only)
 Rated for -40°C to +50°C ambient (-40°F to +130°F ambient)
 Certified to ANSI C136.31-2001 3G Vibration
 Meets FCC Part 15, Subpart B, Class A Standards
 Meets Buy American Requirements within ARRA
 RoHS Compliant
 Complies with ANSI: C136.2, C136.10, C136.14, C136.31, C136.15, C136.37

Catalog #	
Project name	
Prepared by	

SL3x Mini

Roadway Lighting Luminaire

PERFORMANCE TABLE

Lumen Package		08A	08B
Power (Watts)		29	53
Input Current @ 120V (A)		0.27	0.49
Input Current @ 277V (A)		0.12	0.21
Type II	4000K	3366	5287
	BUG Rating	B1-U0-G1	B1-U0-G1
	3000K	2950	4888
Type III	BUG Rating	B1-U0-G1	B1-U0-G1
	4000K	2873	5491
	3000K	2758	5231
Type V	BUG Rating	B1-U0-G1	B1-U0-G1
	4000K	3172	5991
	3000K	2971	5551
BUG Rating		B2-U0-G0	B3-U0-G1

Information shown above is based on nominal system data. Initial delivered lumens at 25°C (77°F). Actual performance may differ as a result of end-user environment and application. Specifications subject to change without notice.

LUMEN MAINTENANCE

Model	TM-21 Lumen Maintenance (50,000 hours)	TM-21 Lumen Maintenance (100,000 hours)	Theoretical L70 (Hours)
SL3x Mini 08A (29W)	93.03 %	87.07 %	264,900 hrs
SL3x Mini 08B (53W)	93.70 %	88.68 %	314,800 hrs

Projected lumen maintenance per IES TM-21 at 25°C ambient and based on LM-80 (10,000 hour testing).

ORDERING INFORMATION

Product Family	Product Series	Input Voltage	Light Distribution	LED Number	Color Temperature	Luminaire Type	Drive Current
ESU – e-lite star™ LED Street Light	F – SL3x Series	A01 – 120~277VAC	2M – Type II Medium 3M – Type III Medium 5M – Type V Medium	08A – 29 W 08B – 53 W	30 – 3000K 40 – 4000K	N – Mini Module	105 – 1050 mA / 08A 700 – 700 mA / 08B

ACCESSORY OPTIONS

LED Type	Finish	Safety Certificate	Door Entry	Driver Option	Control Option	SPD Rating	Additional Option	Additional Option
F – 08A K – 08B	A – Gray (FS36173) B – Bronze (RAL 8019) I – Light Gray (RAL 7038) J – Black (RAL 9017)	U – UL	1 – Tool Less	1 – 0-10V 4 – 3 Ways Field Adjustable Selector 5 – DALI	N – None 1 – 3-Pin Photocontrol Receptacle 2 – Regular Photocontrol 3 – Shorting Cap 4 – Long Life Photocontrol 5 – 7-Pin Photocontrol Receptacle 6 – 7-Pin PCR & Shorting Cap 8 – 7-Pin PCR & Long Life Photocontrol 9 – 5-Pin Photocontrol Receptacle	1 – 10kV/5kA 3 – 20kV/10kA 4 – 20kV/10kA FTO	N – None 1 – House Side Shield 2 – Bird Guard 3 – House Side Shield & Bird Guard 6 – 6' Pre-wire	N – None

Please contact your sales representative for the latest product information.