

Catalog #	
Project name	
Prepared by	

SL3x M

Roadway Lighting Luminaire

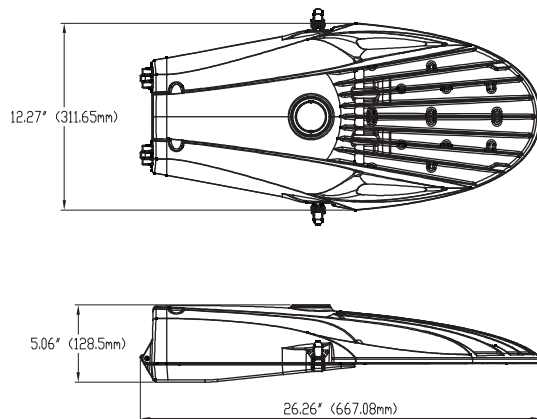
PRODUCT OVERVIEW



APPLICATIONS

- Roadway Lighting
- Parking Lot Lighting

DIMENSIONS



Effective Projected Area (EPA): 0.66 sq. ft. max. (0.061 sq. m.)
 Approximate Net Weight: 18.7 lbs. (8.48 kgs.)

PRODUCT SPECIFICATIONS

OPTICAL

Ideal LED replacement for 150-310W HPS roadway
 Precision optical lens design
 Photometric distributions available in Type II, III, III Wide, and V
 Standard 4000K CCT/ 70 CRI minimum, 3000K CCT/ 70 CRI minimum
 IP66 rated LED light engines

ELECTRICAL

120-277V 50/60Hz operation; 347-480V is also available
 Standard 0-10V dimming; DALI dimming option available
 10kV/5kA Surge protection meets IEEE/ ANSI C62.41, ANSI C136.2-2015
 20kV/10kA SPD is also available

CONSTRUCTION

Classic and modern cobra-head style design
 Heavy-duty die-cast aluminum housing and door
 Arm mount is adjustable from 1-1/4" to 2" (1-5/8" to 2-3/8" O.D.) diameter
 Slipfitter with ± 5 degree of adjustment for leveling
 Standard two-bolt/ one-bracket slipfitter provides 3G vibration rating per ANSI C136.10-2001
 Tool-less entry for easy installation and maintenance

CONTROL

NEMA 3-pin photocontrol receptacle is standard
 Advance 7-pin photocontrol receptacle available to meet ANSI C136.41

WARRANTY

Ten-year warranty*
 * See your sales representative for warranty terms and conditions

RATING AND CERTIFICATIONS

UL and cUL Wet Location Listed
 DesignLights Consortium® (DLC) Qualified Product¹
 Dark Sky Compliant (<3000K CCT only)
 Rated for -40°C to +50°C ambient (-40°F to +130°F ambient)
 Certified to ANSI C136.31-2001 3G Vibration
 Meets FCC Part 15, Subpart B, Class A Standards
 Meets Buy American Requirements within ARRA
 RoHS Compliant
 Complies with ANSI: C136.2, C136.10, C136.14, C136.31, C136.15, C136.37

1. Not available in 1300mA and 1500mA drive current models

Catalog #	
Project name	
Prepared by	

SL3x M

Roadway Lighting Luminaire

PERFORMANCE TABLE

LED Number	Light Distribution	Drive Current (mA)	Color Temp. 4000K			Color Temp. 3000K		
			Flux (lm)	Power (W)	BUG Rating	Flux (lm)	Power (W)	BUG Rating
32	Type II	700	9191	71	B3-U0-G3	8296	71	B3-U0-G3
		1050	12803	110	B3-U0-G3	11555	110	B3-U0-G3
		1300	14932	134	B3-U0-G3	13478	134	B3-U0-G3
		1500	16628	155	B3-U0-G3	15006	155	B3-U0-G3
	Type III	700	9291	71	B3-U0-G3	8386	71	B3-U0-G3
		1050	12943	110	B3-U0-G3	11681	110	B3-U0-G3
		1300	15094	134	B3-U0-G3	13624	134	B3-U0-G3
		1500	16808	155	B3-U0-G3	15169	155	B3-U0-G3
	Type III Wide	700	8792	71	B1-U0-G2	7935	71	B1-U0-G2
		1050	12247	110	B2-U0-G2	11053	110	B2-U0-G2
		1300	14283	134	B2-U0-G3	12892	134	B2-U0-G2
		1500	15905	155	B2-U0-G3	14353	155	B2-U0-G3
	Type V	700	9091	71	B3-U0-G2	8206	71	B3-U0-G2
		1050	12664	110	B4-U0-G2	11430	110	B4-U0-G2
		1300	14770	134	B4-U0-G2	13331	134	B4-U0-G2
		1500	16447	155	B4-U0-G2	14842	155	B4-U0-G2

Information shown above is based on nominal system data. Initial delivered lumens at 25°C (77°F). Actual performance may differ as a result of end-user environment and application. Specifications subject to change without notice.

LUMEN MAINTENANCE

Model	TM-21 Lumen Maintenance (50,000 hours)	TM-21 Lumen Maintenance (100,000 hours)	Theoretical L70 (Hours)
700 mA	92.66%	85.72%	230,260 hrs
1050 mA	93.03%	87.07%	264,980 hrs
1500 mA	86.55%	74.78%	122,610 hrs

Projected lumen maintenance per IES TM-21 at 25°C ambient and based on LM-80 (10,000 hour testing).

ORDERING INFORMATION

Product Family	Product Series	Input Voltage	Light Distribution	LED Number	Color Temperature	Luminaire Type	Drive Current
ESU – e-lite star™ LED Street Light	F – SL3x Series	A01 – 120~277VAC A02 – 347~480VAC	2M – Type II Medium 3M – Type III Medium 3P – Type III Medium Wide 5M – Type V Medium	032 – 32 LEDs	30 – 3000K 40 – 4000K	M – 2-Modules	700 – 700 mA 105 – 1050 mA 130 – 1300 mA 150 – 1500 mA

ACCESSORY OPTIONS

LED Type	Finish	Safety Certificate	Door Entry	Driver Option	Control Option	SPD Rating	Additional Option	Additional Option
F	A – Gray (FS36173) B – Bronze (RAL 8019) I – Light Gray (RAL 7038) J – Black (RAL 9017)	U – UL	1 – Tool Less	1 – 0-10V 4 – 3 Ways Field Adjustable Selector 5 – DALI	N – None 1 – 3-Pin Photocontrol Receptacle 2 – Regular Photocontrol 3 – Shorting Cap 4 – Long Life Photocontrol 5 – 7-Pin Photocontrol Receptacle 6 – 7-Pin PCR & Shorting Cap 8 – 7-Pin PCR & Long Life Photocontrol 9 – 5-Pin Photocontrol Receptacle	1 – 10kV/5kA 3 – 20kV/10kA 4 – 20kV/10kA FTO	N – None 1 – House Side Shield 2 – Bird Guard 3 – House Side Shield & Bird Guard 6 – 6' Pre-wire	N – None

Please contact your sales representative for the latest product information.