

Catalog #	
Project name	
Prepared by	

SL3x L

Roadway Lighting Luminaire

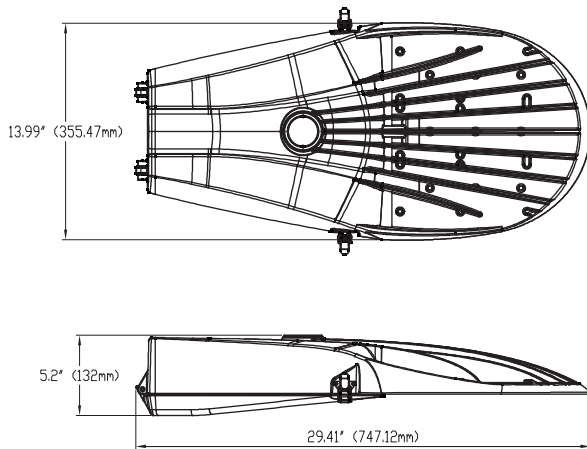
PRODUCT OVERVIEW



APPLICATIONS

- Roadway Lighting
- Parking Lot Lighting

DIMENSIONS



Effective Projected Area (EPA): 0.8 sq. ft. max. (0.074 sq. m.)
 Approximate Net Weight: 25.4 lbs. (11.52 kgs.)

PRODUCT SPECIFICATIONS

OPTICAL

Ideal LED replacement for 250-400W HPS roadway
 Precision optical lens design
 Photometric distributions available in Type II, III, III Wide, and V
 Standard 4000K CCT/ 70 CRI minimum, 3000K CCT/ 70 CRI minimum
 IP66 rated LED light engines

ELECTRICAL

120-277V 50/60Hz operation; 347-480V is also available
 Standard 0-10V dimming; DALI dimming option available
 10kV/5kA Surge protection meets IEEE/ ANSI C62.41, ANSI C136.2-2015
 20kV/10kA SPD is also available

CONSTRUCTION

Classic and modern cobra-head style design
 Heavy-duty die-cast aluminum housing and door
 Arm mount is adjustable from 1-1/4" to 2" (1-5/8" to 2-3/8" O.D.) diameter
 Slipfitter with ± 5 degree of adjustment for leveling
 Standard four-bolt/ two-brackets provides 3G vibration rating per ANSI C136.10-2001
 Tool-less entry for easy installation and maintenance

CONTROL

NEMA 3-pin photocontrol receptacle is standard
 Advance 7-pin photocontrol receptacle available to meet ANSI C136.41

WARRANTY

Ten-year warranty*
 * See your sales representative for warranty terms and conditions

RATING AND CERTIFICATIONS

UL and cUL Wet Location Listed
 DesignLights Consortium® (DLC) Qualified Product¹
 Dark Sky Compliant (<3000K CCT only)
 Rated for -40°C to +50°C ambient (-40°F to +130°F ambient)
 Certified to ANSI C136.31-2001 3G Vibration
 Meets FCC Part 15, Subpart B, Class A Standards
 Meets Buy American Requirements within ARRA
 RoHS Compliant
 Complies with ANSI: C136.2, C136.10, C136.14, C136.31, C136.15, C136.37

1. Not available in 1300mA and 1500mA drive current models

Catalog #	
Project name	
Prepared by	

SL3x L

Roadway Lighting Luminaire

PERFORMANCE TABLE

LED Number			44				48				
Color Temperature			4000K		3000K		4000K			3000K	
Light Distribution	Drive Current (mA)	Power (W)	Flux (lm)	BUG Rating	Flux (lm)	BUG Rating	Power (W)	Flux (lm)	BUG Rating	Flux (lm)	BUG Rating
Type II	700	98	12476	B3-U0-G3	11257	B3-U0-G3	105	13610	B3-U0-G3	12281	B3-U0-G3
	1050	147	17374	B3-U0-G3	15680	B3-U0-G3	160	18953	B4-U0-G4	17436	B3-U0-G3
	1300	182	20374	B4-U0-G4	17435	B3-U0-G3	198	22226	B4-U0-G4	20057	B4-U0-G4
	1500	211	22693	B4-U0-G4	20479	B4-U0-G4	230	24756	B4-U0-G4	22341	B4-U0-G4
Type III	700	98	12612	B3-U0-G3	11380	B3-U0-G3	105	13758	B3-U0-G3	12414	B3-U0-G3
	1050	147	17563	B4-U0-G4	15850	B3-U0-G3	160	19159	B4-U0-G4	17291	B4-U0-G4
	1300	182	20595	B4-U0-G4	18586	B4-U0-G4	198	22467	B4-U0-G4	20275	B4-U0-G4
	1500	211	22940	B4-U0-G4	20701	B4-U0-G4	230	25025	B4-U0-G4	22583	B4-U0-G4
Type III Wide	700	98	11934	B2-U0-G2	10768	B2-U0-G2	105	13018	B2-U0-G2	11747	B2-U0-G2
	1050	147	16619	B2-U0-G3	14998	B2-U0-G3	160	18129	B2-U0-G3	16362	B2-U0-G3
	1300	182	19488	B3-U0-G3	17587	B2-U0-G3	198	21259	B3-U0-G4	19185	B3-U0-G3
	1500	211	21706	B3-U0-G4	19588	B3-U0-G3	230	23680	B3-U0-G4	21369	B3-U0-G4
Type V	700	98	12340	B4-U0-G2	11135	B4-U0-G2	105	13462	B4-U0-G2	12147	B4-U0-G2
	1050	147	17185	B4-U0-G2	15509	B4-U0-G2	160	18747	B4-U0-G2	16919	B4-U0-G2
	1300	182	20152	B5-U0-G3	18186	B4-U0-G2	198	21984	B5-U0-G3	19839	B5-U0-G3
	1500	211	22446	B5-U0-G3	20256	B5-U0-G3	230	24487	B5-U0-G3	22098	B5-U0-G3

Information shown above is based on nominal system data. Initial delivered lumens at 25°C (77°F). Actual performance may differ as a result of end-user environment and application. Specifications subject to change without notice.

LUMEN MAINTENANCE

Model	TM-21 Lumen Maintenance (50,000 hours)	TM-21 Lumen Maintenance (100,000 hours)	Theoretical L70 (Hours)
700 mA	92.66%	85.72%	230,260 hrs
1050 mA	93.03%	87.07%	264,980 hrs
1500 mA	86.55%	74.78%	122,610 hrs

Projected lumen maintenance per IES TM-21 at 25°C ambient and based on LM-80 (10,000 hour testing).

ORDERING INFORMATION

Product Family	Product Series	Input Voltage	Light Distribution	LED Number	Color Temperature	Luminaire Type	Drive Current
ESU – e-lite star™ LED Street Light	F – SL3x Series	A01 – 120~277VAC A02 – 347~480VAC	2M – Type II Medium 3M – Type III Medium 3P – Type III Medium Wide 5M – Type V Medium	044 – 44 LEDs 048 – 48 LEDs	30 – 3000K 40 – 4000K	L – 3-Modules	700 – 700 mA 105 – 1050 mA 130 – 1300 mA 150 – 1500 mA

ACCESSORY OPTIONS

LED Type	Finish	Safety Certificate	Door Entry	Driver Option	Control Option	SPD Rating	Additional Option	Additional Option
F	A – Gray (FS36173) B – Bronze (RAL 8019) I – Light Gray (RAL 7038) J – Black (RAL 9017)	U – UL	1 – Tool Less	1 – 0-10V 4 – 3 Ways Field Adjustable Selector 5 – DALI	N – None 1 – 3-Pin Photocontrol Receptacle 2 – Regular Photocontrol 3 – Shorting Cap 4 – Long Life Photocontrol 5 – 7-Pin Photocontrol Receptacle 6 – 7-Pin PCR & Shorting Cap 8 – 7-Pin PCR & Long Life Photocontrol 9 – 5-Pin Photocontrol Receptacle	1 – 10kV/5kA 3 – 20kV/10kA 4 – 20kV/10kA FTO	N – None 1 – House Side Shield 2 – Bird Guard 3 – House Side Shield & Bird Guard 6 – 6' Pre-wire	N – None

Please contact your sales representative for the latest product information.